



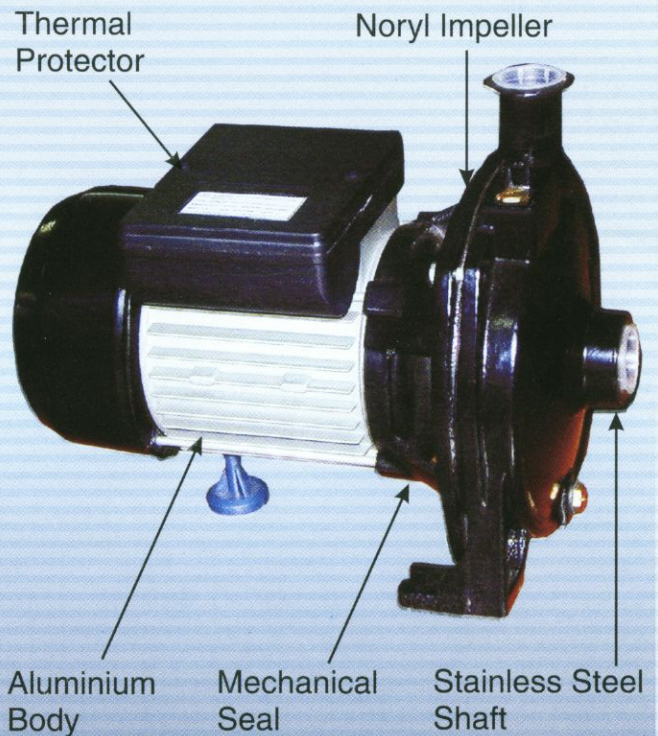
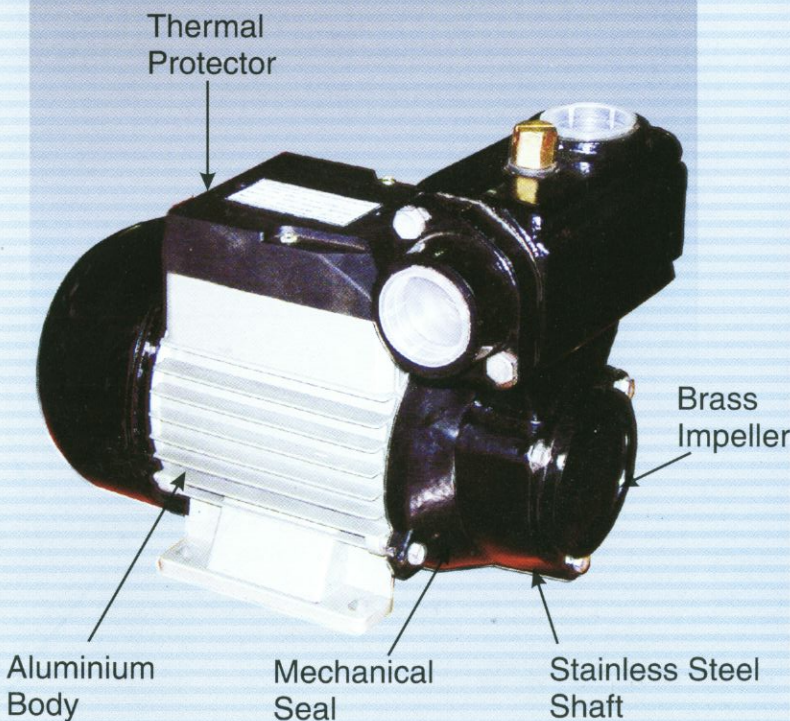
RWTUV



'Jyoti' Unibuilt® Domestic JTPS & JCPM Series Pump

Light Weight, Efficient
and Ideal for Domestic
Application

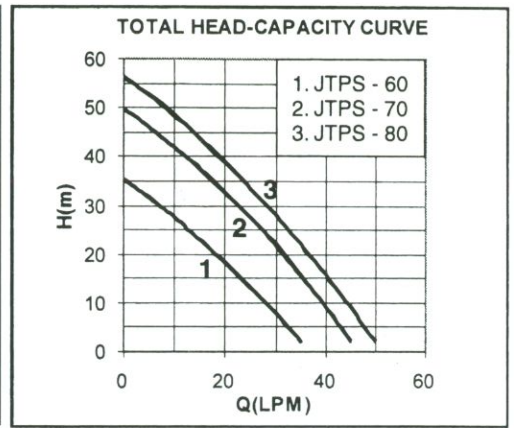
JTPS - 60/0.5 HP (with Thermal Protector)



JCPM - 158/1.0 HP (with Thermal Protector)

JTPS Series Pumps are with peripheral impeller (with numerous radial blades) self priming ensures the elimination of any air in the suction piping. The recirculation of the pumped fluid in the pump body permits the self priming effect, extracting and completely expelling any air in the suction piping. The fluid pressure increases progressively as it passes from suction to delivery.

Pump body : Cast Iron
 Impeller : Brass
 Shaft : Stainless Steel
 Insulation Class : 'F'
 Protection class : IP54
 Mechanical Seal : Stainless steel / carbon-ceramic
 Motor : Single Phase, 220V/50Hz with Thermal protector.



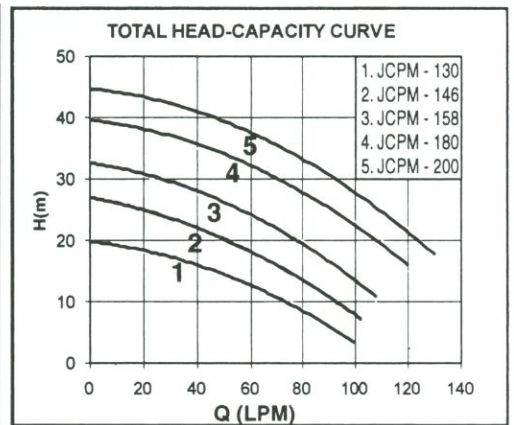
SPECIFICATIONS

Model	Max. Capacity (l/min.)	Max. Head (M)	Max. Suction (m)	Speed (r.p.m.)	Power (H.P.)	Pump Dia. (mm)	Net Weight (kg.)	Overall Dimension (mm)
JTPS-60	35	35	9	2850	0.5	25X25	6.3	260X165X215
JTPS-70	45	50	9	2850	0.75	25X25	9.1	285X195X240
JTPS-80	50	55	9	2850	1	25X25	10	285X195X240

JCPM Series Pumps are suitable for civil and industrial uses to pump clean water and chemically non-aggressive liquid.

They have a compact size and extremely reliable, very simple to use and almost maintenance free.

Pump body : Cast Iron
 Impeller : Noryl
 Shaft : Stainless Steel
 Insulation Class : 'F'
 Protection class : IP54
 Mechanical Seal : Stainless steel / carbon-ceramic
 Motor : Single Phase, 220V/50Hz with Thermal protector.



SPECIFICATIONS

Model	Max. Capacity (LPM)	Max. Head (M)	Max. Suction (m)	Speed (r.p.m.)	Power (HP)	Pump Dia. (mm)	Net Weight (kg.)	Overall Dimension (mm)
JCPM-130	100	20	9	2850	0.50	25X25	8.8	265X165X215
JCPM-146	100	26	9	2850	0.75	25X25	12.2	300X175X230
JCPM-158	108	32	9	2850	1.00	25X25	13.6	310X190X245
JCPM-180	120	40	9	2850	1.50	25X25	20.2	361X230X292
JCPM-200	130	46	9	2850	2.00	25X25	23	361X230X292

with 15 Months Guarantee



FOR FURTHER ENQUIRIES
PLEASE CONTACT

BRANCH
OFFICES

SPECIAL PUMPS DIVISION

Nanubhai Amin Marg, Industrial Area,
P.O. Chemical Industries,
Vadodara-390 003.

Phones : 0091-265-3054580 (D)
3054444

Fax : 0091-265-2281871, 2280671

E-mail : brkulkarni@jyoti.com
Website : http://www.jyoti.com

• **Bangalore** : 35/3, 2nd Floor, Novelty Mansion, 2nd Cross, IV Block, Kumarapark West, Bangalore-560 020. Telefax : 080 23348248 E-Mail : bangalore@jyoti.com
 • **Chennai** : VEE DEE YEM Complex, 1st Floor, 270, Lloyds Road, Royapettah, Chennai 600014, Fax : 044-28133178, E-Mail : chennai@jyoti.com • **Indore** : Block No. 108, 1st Floor, New Palasia, Ratnamani Complex, Indore 452 001. Fax : 0731 2542621 E-mail : indore@jyoti.com • **Kolkata** : 45, Jhowtalla Road, Syed Amir Ali Avenue, Kolkata-700 019, Fax : 033-22475267 E-Mail : kolkata@jyoti.com
 • **Mumbai** : Flat No. 102, 1st Floor, 'Narsinh Sadan', 1st Road, Golibar, Santacruz (East), Mumbai-400 055. Fax : 022-26100717, E-Mail : mumbai@jyoti.com
 • **New Delhi** : 50, Hanuman Road, New Delhi-110 001. Fax : 011-23746529, E-mail : jyotidelhi@vsnl.net / delhi@jyoti.com • **Pune** : 244, F. M. City Centre Building, Nalband Associates, Above Dena Bank, Mumbai-Pune Road, Chinchwad, Pune-411 019. Telefax : 020-27473077 E-Mail : pune@jyoti.com • **Secunderabad** : Gr. Floor, 5-4-187/7, Karbala Maidan, M.G.Road, Secunderabad - 500 003. Fax : 040-27543673, E-Mail : jyoti.sec@yahoo.com / jyotisec@jyoti.com

In keeping with the technological strides the world is making in the engineering field, we introduce changes in the design of our products. Hence, the products as actually supplied might have features varying herefrom.

The word 'Jyoti', Unibuilt® and 'Jyoti' logo, are the registered trademarks of Jyoti Ltd. Vadodara-390 003.